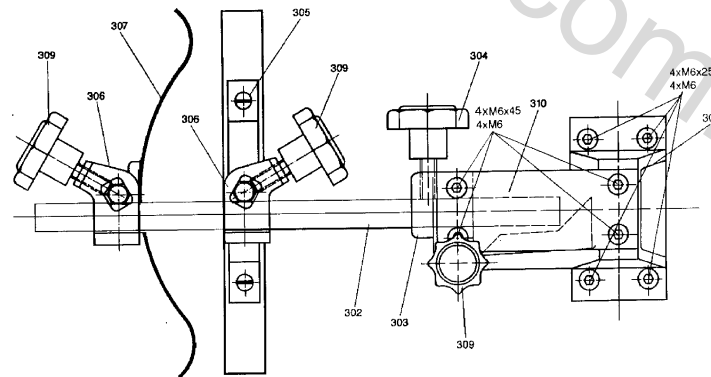


Seitenansicht der Andrückvorrichtung



Draufsicht der Andrückvorrichtung

Position	Amount	Type number	Description	PG
301	1	1390018327	CUTTER GUARD SUPPORT CASTING	38
302	1	1492024755	TELESCOPIC ARM CASTING 6-KT SW 14X260	23
303	1	1390018335	SCREW ADJUSTER CASTING	20
304	1	7001017769	STARKNOB SCREW RD40/M6X23 (DIN 933) VERZ	12
305	1	1394018429	HOLDDOWN SHOE 20X35X180	20
306	2	1390018343	CLAMPING PIECE	16
307	1	7052018417	HOLDDOWN SPRING 0,9X80X200	27
308	1	1390119484	HOLDER, PRESSURE SPRING 225 MM	27
309	2	7001017777	STARKNOB SCREW RD40/M8X28 (DIN 933) VERZ	13
310	1	7052018395	GUIDE SPRING 0,9X40X100	19
311	1	1492103736	PRESSURE BAR 6-KT 10X175	25
312	1	7052018409	PRESSURE SPRING 0,9X15X130	24